



G2AE THRU G2ME

Surface Mount General Purpose Rectifier

Features

- " /RZ SURILOH SDFNDJH
- " ,GHDO IRDJWDHXGWSRQDFHFPHQW
- " *ODVV SDVVLYDWHG FKLS MXQFWLRQ
- " +LJK IRUZDUG VXUJH FDSDELQW\
- " 6XSHU)DVW UHYHUVH UHFRYHU\ WLPH
- " 0HHWV 06/ OHYHO SHU - 67' /) PD[LPIX
- RI f &

Typical Applications

-)RU XVH LQ KLJK IUFDWHHQ\ RUIHFRZHU VXSSO
- LQYHUWHUV FRQYHUWHQW DQRG HUVHHRZK FRQ
- DQG WHOHFRPPXQLFDWLRQ

Mechanical Data

- " **Package** 62' +(
- 0ROGLQJ FRPSRQ/QG PHHWDPPDELQW\
- UDWLQJ 5R+6 FRPSOLDQW KDORJHQ IUHH
- " **Terminals** 7LQ SODWHG OHDGV VROGHUDEOH S
- 67' DQG -(6' %
- " **Polarity:** &DWKRGH OLVKBFORWKIRGH HQG

Maximum Ratings

PARAMETER	SYMBOL	UNIT	G2AE	G2BE	G2DE	G2GE	G2JE	G2KE	G2ME
'HYLFH PDUNLQJ FRGH			* \$(* % (* '(* *(* -(* .(* 0(

9

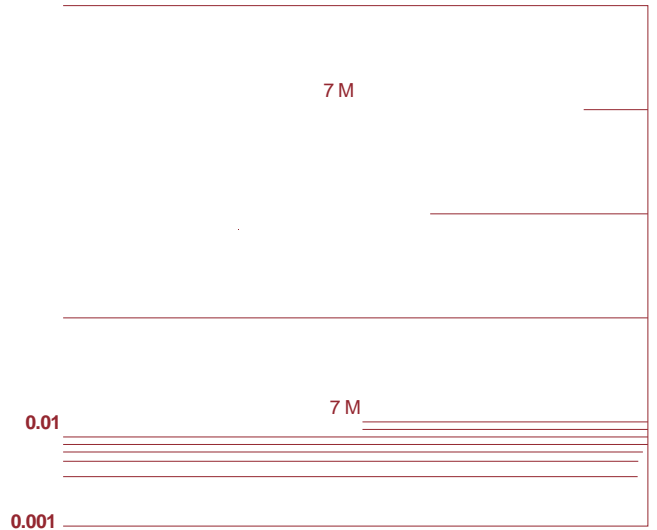
	'&	9							
\$YHUDJH UHFWLILHG RXWSXW FXUUHQW	# +] VLQH ZDYH UHVLVWDQFH ² ORDG 7/)LJ \$								
)RUZDUG 6XUJH &XUUHQW 1RQ UHSHWLWLYH	# +] +DOI VLQH ZDYH F\FOH 7M								
)RUZDUG 6XUJH &XUUHQW 1RQ ⁶⁰ UHSHWLWLYH	# PV VTXDUH ZDYH F\FOH 7M								
&XUUHQW VTXDUHG WLPH	# PV"W" PV 7M		, W	\$ V					

6WRUDJH WHPSHUDWXUH 7_{vWJ}

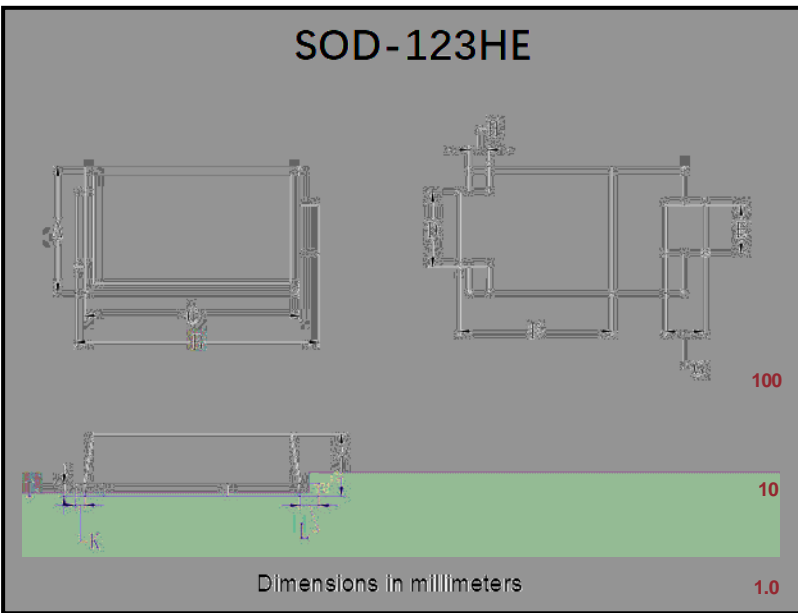
G2AE THRU G2ME



G2AE THRU G2ME

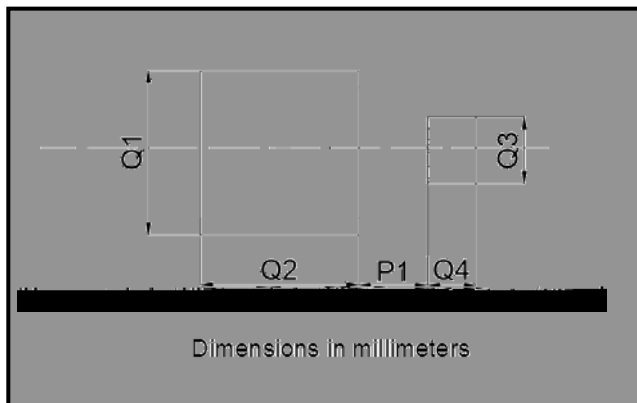


vOutline Dimensions



SOD-123HE		
'LP	0LQ	0D
\$		
%		
&		
'		
(
)		
*		
+	7 < 3	
,		
-		
.		
/		

Suggested pad layout



0.1

SOD-123HE				
'LP	0LOOLPHW HUV			
3				
4				
40	4	60	80	100
4				
4				



G2AE THRU G2ME

Disclaimer

7KH LQIRUPDWLRQ SGRVNDMWHG LV IRWLVHDIHQJHQRH BQJMLH (OHFWURQLF 7HFKQRO
ULJKW WR PDNH FKDLQJHVRZLWKR XWSKRLSULFDGXIERQ/ RGLWSOD\HG KHUHLQ WRGLPVLURQ
RU RWKHUZLVH

7KH SURGXFW OLVWHG KHUHLQ LV GHVHQRWGRVOR FEHTXLISEHZLWKRURGGHLYLDFHWVWIDQG
HTXLSPHQW OGWppp 6 }0DÀ LSPH W K0 €0